

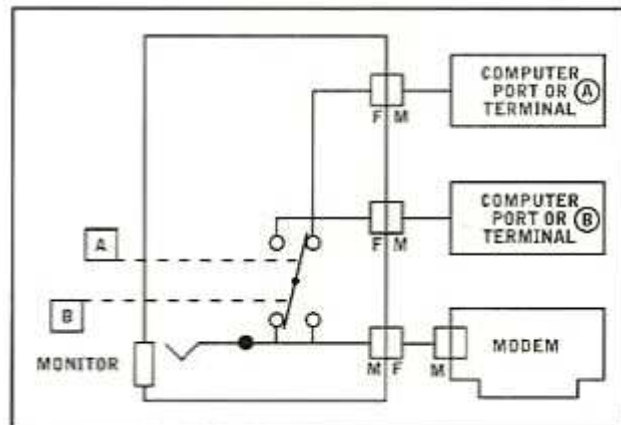
**Mark II Dynaswitch®
Manually Operated
A/B Switch**

**Mark II Dynaswitch®
Manually Operated A/B Switches**

- **Very highest standards of durability and longevity**
- **Rack Mount Modular Design**
- **Up to 18 channels**
- **Pre-configured Paks available**
- **Stand alone version available**
- **V.24 interface support**

Dynetcom's Dynaswitch® range of manually operated fallback switches offers a low cost alternative to the electro-mechanical solutions where cost is a major issue or where manual switching is deemed to be the preferred solution. The manually operated A/B switch comes in two versions; a rack mount or a standalone, desktop version. The rack mount version holds up to 18 A/B switch modules in a 4U(7") high chassis for network applications. It is available in pre-configured Paks or can be customized by ordering individual components. The stand alone, desk top, version (in a metal case) is for small single switching applications such as printer sharing.

- Standard rackmount and standalone versions comes with 1 male DB25 connector for the DCE connection and 2 female DB25 connectors for the DTE A and the DTE B connections respectively
- Rackmount and standalone versions come with 3 female DB25 connectors (optional)



Typical A/B Switch Operation

Allowing either two computer ports or terminals to be switched to a modem

Communication solutions from



extend. evolve. innovate.

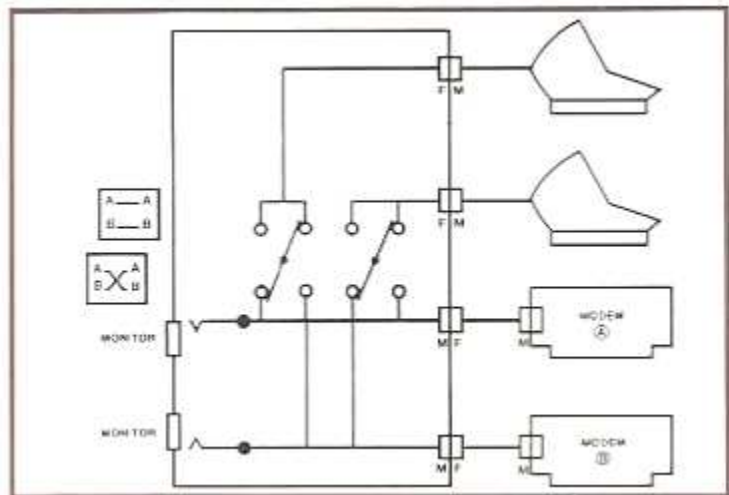
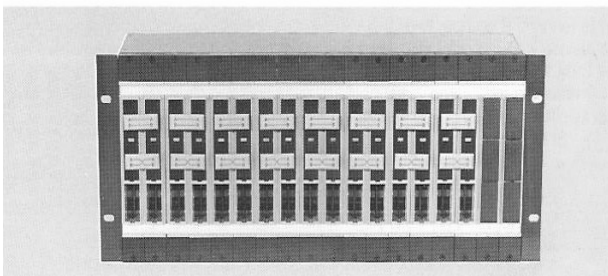
**Mark II Dynaswitch®
Manually Operated
A/B Switch**

**Mark II Dynaswitch®
Manually Operated Cross Over A/B
Switches**

- **Rack Mount Modular Design**
- **Up to 18 Channels**
- **Pre-configured Paks available**
- **Stand alone Version available**
- **V.24 Interface supported**

Dynetcom's Dynaswitch® range of manually operated cross over switches allows either two computer ports or terminals and two modems to be crossed over. The manually operated cross-over switch comes in two versions; a rack mount and a standalone version. The rack mount version holds up to 9 cross over switch modules in either a 3U(5¼) high chassis or a 4U(7") high chassis using EPE-0 jack extenders for multiple applications. It is available in pre-configured Paks or can be customized by ordering individual components. The stand alone, desk top, version (in a metal case) is for small single cross over switching applications.

- The rackmount and standalone versions come with 2 male DB25 connector for the DCE connection and 2 female DB25 connectors for the DTE connections respectively



Typical Cross Over Switch Operation

Allowing either two computer ports or terminals and two modems to be crossed over.



Pulse, Inc.
40935 County Center Drive
Suite F
Toll Free: 888-785-7393
Tel: 951-694-1173
Email: sales@pulsewan.com