

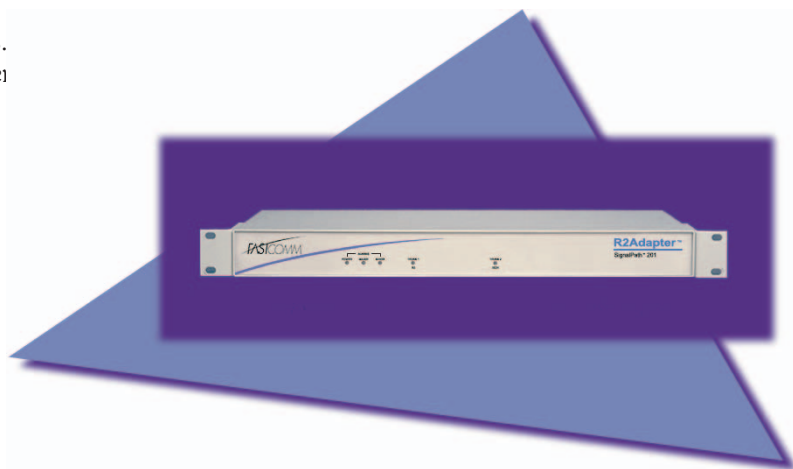
R2ADAPTER™

Connect Your ISDN PBX to the R2 Public Network Inexpensively

The R2Adapter™ is a signaling appliance designed for fast, easy, low-cost integration into carrier networks and vendor equipment. Using existing technology based on the FastComm SignalPath™ Signaling Gateway, the R2Adapter allows traditional and IP PABX vendors to penetrate international markets where the need for protocol conversion between disparate networks is greatest. The R2Adapter is equipped to handle multiple country-specific R2 variants in over 80 countries world wide by enabling interoperability between PTT and carrier R2 networks and the ETSI ISDN trunk interfaces on the customers' equipment.

One country can have up to six or seven different variants of R2 simultaneously in use within its networks. The R2Adapter breaks down the communication barriers presented by these different protocols and adapts the flow of information across any network.

Simple to use, quick to deploy, the small footprint R2Adapter is capable of carrying traffic over a single E1 trunk. The R2Adapter is particularly attractive to vendors who are planning on boosting their revenues by introducing products into countries such as Mexico, Colombia, Brazil, Argentina, Costa Rica, Venezuela, Paraguay, Uruguay, China, Vietnam, Cambodia, Indonesia, Malaysia, Thailand, Singapore, Philippines, Israel, New Zealand, Korea, Greece, and Kuwait.



PROTOCOL SUPPORT

The following protocols are supported, including a wide variety of custom country variants:

- R2
- ETSI ISDN

SUPERIOR MAINTENANCE AND DIAGNOSTICS

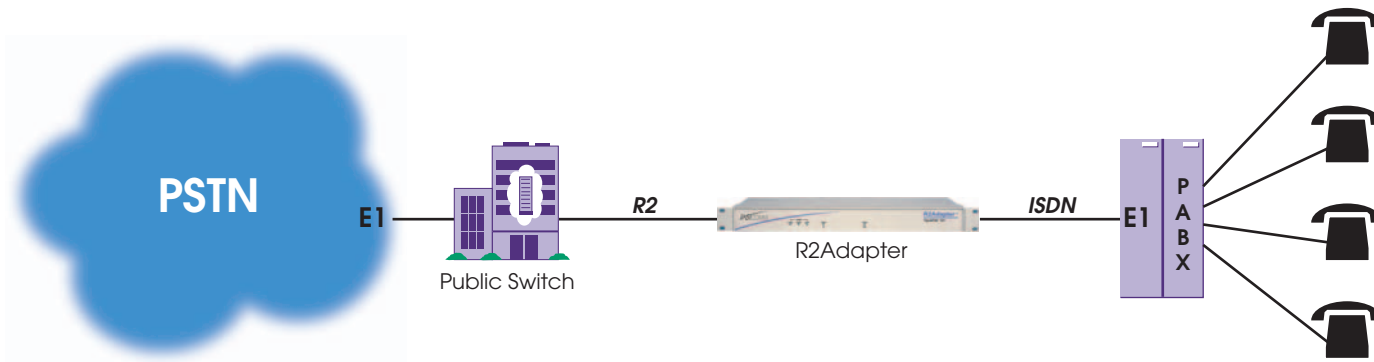
- Multiple maintenance features enable quick and cost-effective resolution of network problems.
- Trace functionality is available to aid in troubleshooting configuration and network problems.
- Dry contact alarms allow user-customized remote and local monitoring.

COMPACT CHASSIS DESIGN

- The R2Adapter features a compact 1U height designed for budgeted space, with a streamlined capacity of one E1 interface for fast, easy deployment.
- Chassis-based, the R2Adapter is designed specifically for today's high standards in the communications environment.

OTHER PRODUCT FEATURES

- Standard RJ48 connections
- Two E1 ports supporting one bi-directional E1 trunk
- Up to 30 DS0s per chassis
- 19 in. (48.26 cm) rack-mountable chassis
- 100/240 VAC power input (autoranging)



STANDARDS CONFORMANCE

R2	Q.400–Q.490
ISDN-ETSI	ETSI 300-102, Q.931, Q.921

AGENCY COMPLIANCE

Safety	EN 60950, European Safety (CE Mark) UL 1950 3rd Edition, U.S. Safety FCC Part 15, Sub-part J, Class A
Immunity	EN 50082-1: 1997
Emissions & Immunity	EN 55022 (European)

HARDWARE SPECIFICATIONS

Physical

<i>Height</i>	1.75 in. (4.45 cm)
<i>Width</i>	19 in. (48.26 cm)
<i>Depth</i>	10 in. (25.4 cm)
<i>Shipping Weight</i>	Approximately 7.5 lbs (3.4 kg)

Input

<i>Power</i>	100 to 240 VAC, 50 to 60 Hz
--------------	-----------------------------

Environmental

<i>Temperature</i>	32° to 122° F (0° to 50° C)
<i>Humidity</i>	Up to 95% non-condensing
<i>Altitude</i>	Tested to 10,000 ft. (3,048 m)

SYSTEM CAPACITY

Interfaces	One E1 trunk per chassis
Channels	Up to 30

INTERFACE SPECIFICATIONS

Framing	E1: G.732 or G.704
Bit Rate	E1: 2,048 Mbps
Clocking	E1: ± 30 ppm internal E1: ± 100 ppm external
Impedance	E1: 120 ohm balanced
Coding	E1: AMI or HDB3
Alarms	E1: Loss of carrier signal, multi-frame carrier signal, sync; alarm indication signal (AIS); receipt of remote alarm; receipt of multi-frame remote alarm
Diagnostics	E1: signaling state report, digit report; D-channel status
Performance	E1: G.703, G.704, G.732, G.823

For Sales and Technical:

Pulse, Inc.
www.pulsewan.com
sales@pulsewan.com

Toll Free (USA)
Tel: 888-785-7393

International:
Tel: 1-561-279-7700